

Air valve(3/2 way)

3A100 Series



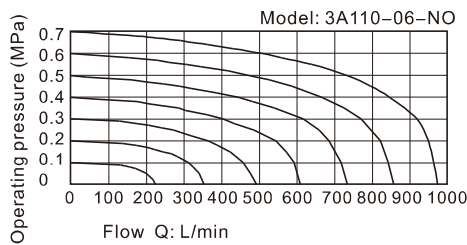
Symbol



Product feature

- Structure in sliding column mode: good tightness and sensitive reaction.
- Double air control valves have memory function.
- Internal hole adopts special processing technology which has little attrition friction, low start pressure and long service life.
- No need to add oil for lubrication.
- Multi-mounting helps to install and apply.
- Integrate with the manifold to save installation space.

Flow chart



Specification

Model	3A110-M5	3A120-M5	3A110-06	3A120-06
Fluid	Air(to be filtered by 40 μm filter element)			
Acting	Exterior control			
Port size [Note1]	M5		1/8"	
Orifice size	5.5mm ² (Cv=0.31)		12.0mm ² (Cv=0.67)	
Valve type	3 port 2 position			
Lubrication [Note2]	Not required			
Operating pressure	0.15~0.8MPa(21~114psi)			
Proof pressure	1.2MPa(175psi)			
Temperature	-20~70°C			
Material of body	Aluminum alloy			
Max. frequency [Note3]	5 cycle/sec			

[Note1] PT thread, G thread and NPT thread are available.

[Note2] Once lubricated air is used, continue with same medium to optimise valve life span. Lubricants like ISO VG32 or equivalent are recommended.

[Note3] The maximum actuation frequency is in the no-load state.

Ordering code

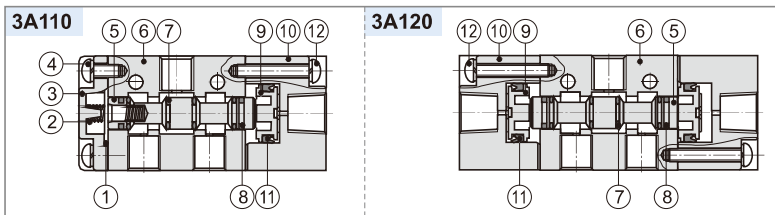
3A 1 10 06 NO □

① ② ③ ④ ⑤ ⑥

① Model	② Code	③ Valve type	④ Port size	⑤ Acting type	⑥ Thread type
3A: Air Valve (3/2 way)	1: 100 Series	10: Single air control 20: Double air control	M5: M5 06: 1/8"	NC: Normally close NO: Normally open No this code	M5 1/8" Blank: PT G: G T: NPT

Please refer to 107 for manifold specification and the order way.

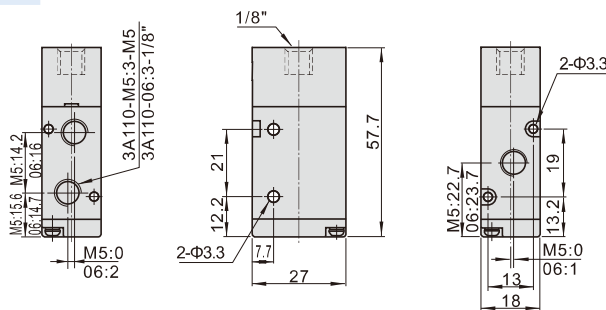
Inner structure



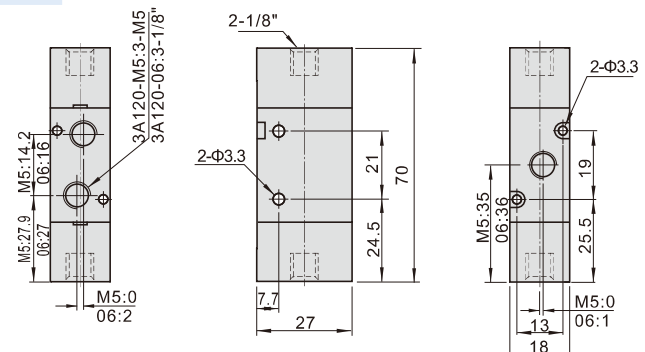
No.	Item	No.	Item	No.	Item
1	Bottom cover gasket	5	Spool	9	Piston
2	Spring	6	Body	10	Pilot body
3	Bottom cover	7	O-ring	11	Piston O-ring
4	Bottom cover screw	8	Wear ring	12	Piston screw

Dimension

3A110



3A120

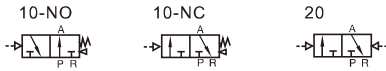


Air valve(3/2 way)

3A200 Series



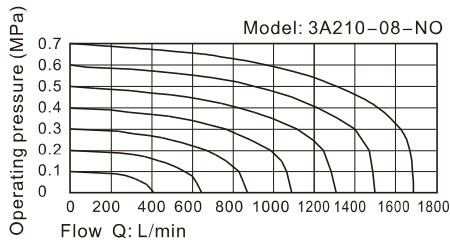
Symbol



Product feature

1. Structure in sliding column mode: good tightness and sensitive reaction.
2. Double air control valves have memory function.
3. Internal hole adopts special processing technology which has little attrition friction, low start pressure and long service life.
4. No need to add oil for lubrication.
5. Multi-mounting helps to install and apply.
6. Integrate with the manifold to save installation space.

Flow chart



Specification

Model	3A210-06	3A220-06	3A210-08	3A220-08
Fluid	Air(to be filtered by 40 μm filter element)			
Acting	Exterior control			
Port size [Note1]	In=Out=1/8"		In=Out=1/4"	
Orifice size	14.0mm ² (Cv=0.78)		16.0mm ² (Cv=0.89)	
Valve type	3 port 2 position			
Lubrication [Note2]	Not required			
Operating pressure	0.15~0.8MPa(21~114psi)			
Proof pressure	1.2MPa(175psi)			
Temperature	-20~70°C			
Material of body	Aluminum alloy			
Max. frequency [Note3]	5 cycle/sec			

[Note1] PT thread, G thread and NPT thread are available.

[Note2] Once lubricated air is used, continue with same medium to optimise valve life span. Lubricants like ISO VG32 or equivalent are recommended.

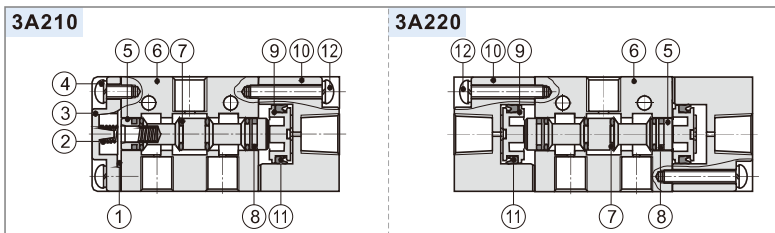
[Note3] The maximum actuation frequency is in the no-load state.

Ordering code

3A 2 10 08 NO □					
① Model	② Code	③ Valve type	④ Port size	⑤ Acting type	⑥ Thread type
3A: Air Valve (3/2 way)	2: 200 Series	10: Single air control 20: Double air control	06: 1/8" 08: 1/4"	NC: Normally close NO: Normally open No this code	Blank: PT G: G T: NPT

Please refer to 107 for manifold specification and the order way.

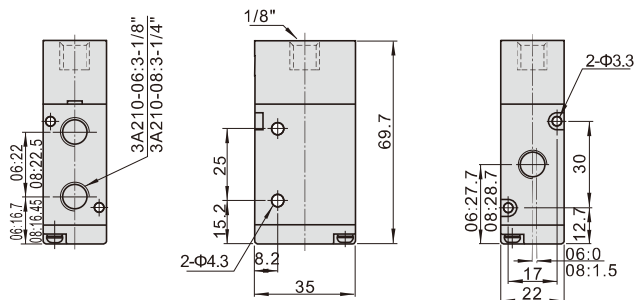
Inner structure



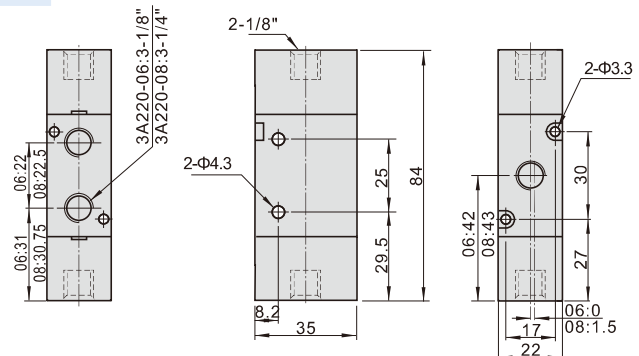
No.	Item	No.	Item	No.	Item
1	Bottom cover gasket	5	Spool	9	Piston
2	Spring	6	Body	10	Pilot body
3	Bottom cover	7	O-ring	11	Piston O-ring
4	Bottom cover screw	8	Wear ring	12	Piston screw

Dimension

3A210



3A220

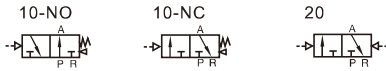


Air valve(3/2 way)

3A300 Series



Symbol



Product feature

1. Structure in sliding column mode: good tightness and sensitive reaction.
2. Double air control valves have memory function.
3. Internal hole adopts special processing technology which has little attrition friction, low start pressure and long service life.
4. No need to add oil for lubrication.
5. Multi-mounting helps to install and apply.
6. Integrate with the manifold to save installation space.

Specification

Model	3A310-08	3A320-08	3A310-10	3A320-10
Fluid	Air(to be filtered by 40 μm filter element)			
Acting	Exterior control			
Port size [Note1]	In=Out=1/4"		In=Out=3/8"	
Orifice size	25.0mm ² (Cv=1.39)		30.0mm ² (Cv=1.67)	
Valve type	3 port 2 position			
Lubrication [Note2]	Not required			
Operating pressure	0.15~0.8MPa(21~114psi)			
Proof pressure	1.2MPa(175psi)			
Temperature	-20~70°C			
Material of body	Aluminum alloy			
Max. frequency [Note3]	5 cycle/sec			

[Note1] PT thread, G thread and NPT thread are available.

[Note2] Once lubricated air is used, continue with same medium to optimise valve life span. Lubricants like ISO VG32 or equivalent are recommended.

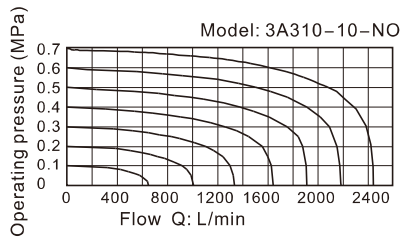
[Note3] The maximum actuation frequency is in the no-load state.

Ordering code

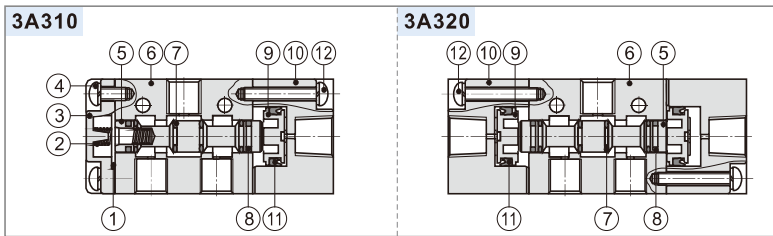
3A 3 10 10 NO □					
① Model	② Code	③ Valve type	④ Port size	⑤ Acting type	⑥ Thread type
3A: Air Valve (3/2 way)	3: 300 Series	10: Single air control 20: Double air control	08: 1/4" 10: 3/8"	NC: Normally close NO: Normally open No this code	Blank: PT G: G T: NPT

Please refer to 107 for manifold specification and the order way.

Flow chart



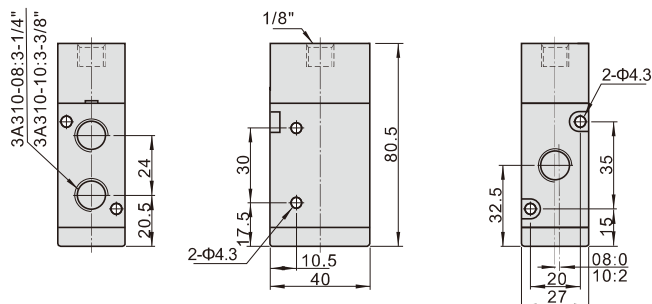
Inner structure



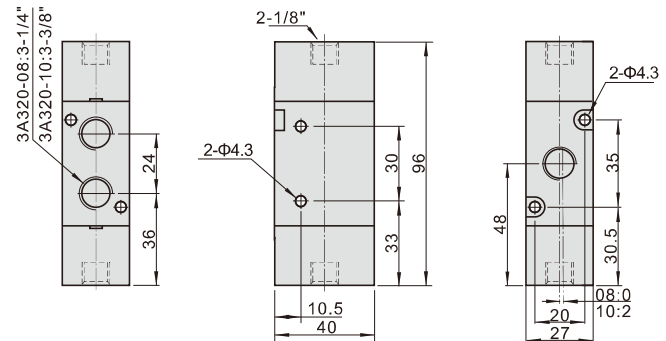
No.	Item	No.	Item	No.	Item
1	Bottom cover gasket	5	Spool	9	Piston
2	Spring	6	Body	10	Pilot body
3	Bottom cover	7	O-ring	11	Piston O-ring
4	Bottom cover screw	8	Wear ring	12	Piston screw

Dimension

3A310



3A320



Manifold



Specification

Item\Manifold Model	100M	200M	300M
Fluid	Air(to be filtered by 40 μm filter element)		
Temperature	-20~70°C		
Adaptable valve's series	3V100 Series	3V200 Series	3V300 Series

Product feature

1. It is available to integrate the direction control valves of the same series to form valve group to save space and cost.
2. It is easy to examine when there are faults owing to the unified air intake and exhaust and unified wiring.
3. Flexible combination and strong expansion capability can make any combination or expansion of the numbers of direction control valves that are connected.

Ordering code

Ordering code for manifold

3V100M 5F □



① Model	② Number of stations	③ Thread type
3V100M: 100 Series manifold 3V200M: 200 Series manifold 3V300M: 300 Series manifold	1F: 1 station 2F: 2 station 3F: 3 station 16F: 16 station	Blank: PT G: G T: NPT

Ordering code for blank plate

P-3V100M-R2

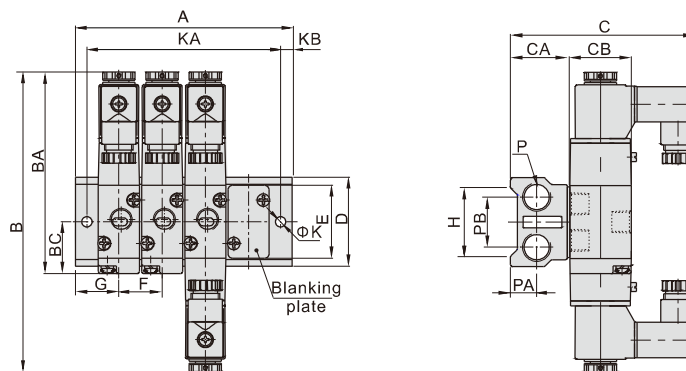


① Kits	② Model	③ Code
P: Kits	3V100M: 100Series manifold 3V200M: 200Series manifold 3V300M: 300Series manifold	R2: Blank plate for manifold

- [Note] 1. Ordering code contains the two parts of the manifold's and the blank plate's;
2. Manifold kits contains manifold, seal and screw.
3. Blank plate kits contains blank plate and screw.

Dimensions

With 3V solenoid valve



Model\Item	B	BA	BC	C	CA	CB	D	E	F	G	H	K	KB	P	PA	PB
3V100M	131.5	88.5	22.7	81	26	27	39	32	19	19	30	4.5	5	1/4"	11.5	22
3V200M	162.5	109	27.7	92.5	26	35	45	40	23	23	35	4.5	6	1/4"	11.5	25
3V300M	175	120	32.5	99	30	40	52	47	28	27	42	4.5	6	3/8"	13.5	28

Model\Item	A															
	1F	2F	3F	4F	5F	6F	7F	8F	9F	10F	11F	12F	13F	14F	15F	16F
3V100M	38	57	76	95	114	133	152	171	190	209	228	247	266	285	304	323
3V200M	46	69	92	115	138	161	184	207	230	253	276	299	322	345	368	391
3V300M	54	82	110	138	166	194	222	250	278	306	334	362	390	418	446	474

Model\Item	KA															
	1F	2F	3F	4F	5F	6F	7F	8F	9F	10F	11F	12F	13F	14F	15F	16F
3V100M	28	47	66	85	104	123	142	161	180	199	218	237	256	275	294	313
3V200M	34	57	80	103	126	149	172	195	218	241	264	287	310	333	356	379
3V300M	42	70	98	126	154	182	210	238	266	294	322	350	378	406	434	462